



HME AHRENS-FOX CORE22 PUMPER

\$725,000

Price valid on select,
ready-to-ship, inventory.
Orders must be placed in
Q4 2025.



SPECIFICATIONS

- ◆ Chassis: HME Ahrens-Fox – 1871-W
- ◆ Cab: Medium Four-door (MFDxI) 12" Raised Roof
- ◆ Engine: Cummins L9 (450 HP)
- ◆ Transmission: Allison 3000EVS
- ◆ Seats: Six (1, 2, 3, 6, 8 and 9)
- ◆ Front Suspension: STEERTEK NXT (19K)
- ◆ Rear Suspension: Reyco Granning (27K)
- ◆ Tank: 1000 Gallon
- ◆ Pump: Hale Qmax (1500 GPM)
- ◆ Compartment Space: 236.9 cu. ft.
- ◆ Scene Lighting: Whelen (LED)
- ◆ Crosslays: Two 1.5"
- ◆ Driver's Side Discharges: Two 2.5"
- ◆ Driver's Side Intake: 2.5" and 6"
- ◆ Officers Side Discharges: 2.5" and 3"
- ◆ Officer's Side Intake: 6"
- ◆ Ladders: Interior (Vertical)

HME Ahrens-Fox
1950 Byron Center Ave SW
Wyoming, MI 49519
616.534.1463

FIRETRUCKS.COM

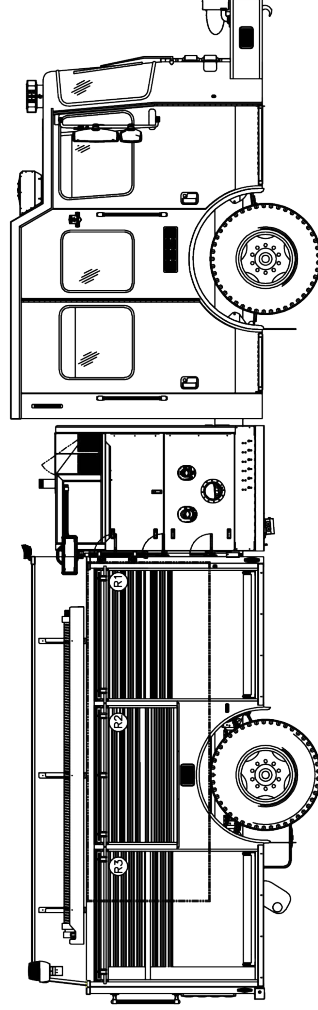
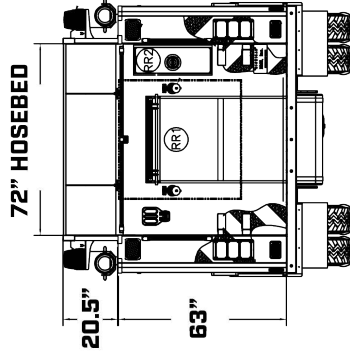
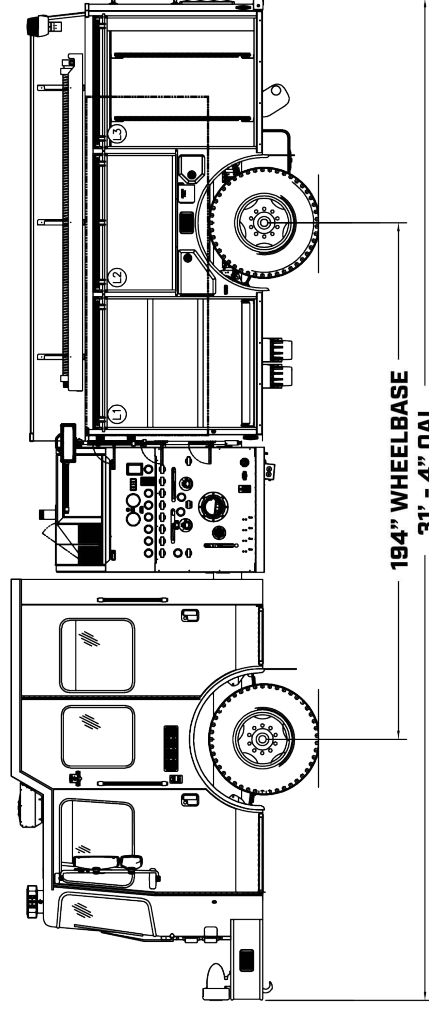
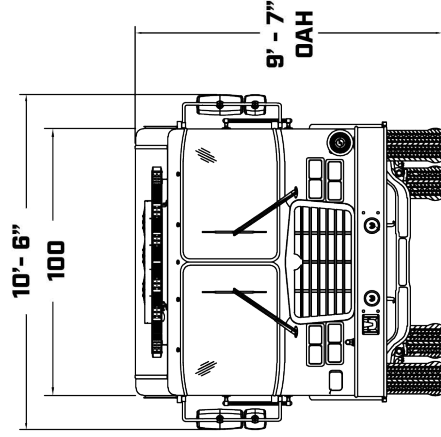
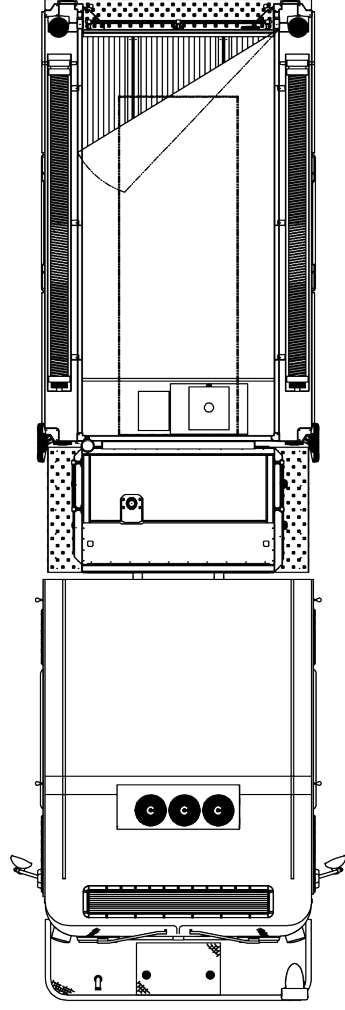


LEARN
MORE





HME AHRENS-FOX TRADITIONAL PUMPER



SN: 24311